

VAPOR BARRIER.
2ND LAYER
VAPOR BARRIER.
MTL. LATH OR
STUCCO NETTING.
BASE COAT.
TUSCAN STONE OR
TUSCAN PLASTER
LIMESTONE COATING.

1/4" MIN. THICKNESS TUSCAN
STONE OR 1/8" MIN. THICKNESS
TUSCAN PLASTER LIMESTONE
COATING

3/8" MIN. THICK CONVENTIONAL
FIBER REINFORCED PORTLAND
CEMENT

2.5LB METAL LATH OR
20 GAUGE STUCCO NETTING

DOUBLE LAYER 30/30
MINUTE FELT OR
TYVEK STUCCO WRAP

SHEATHING
BY OTHERS
WALL TYPES INCLUDE BUT ARE NOT
LIMITED TO; DENS GLASS GOLD, FIBER
BOARD, PLYWOOD, AND WAFER BOARD.

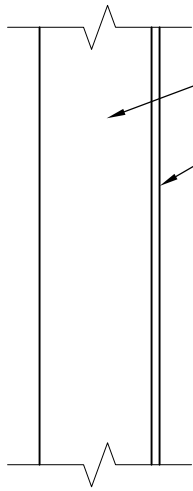
I:\uscan Cast Stone\01-Clients\Tuscan StoneWorx\Details\Detail2 Wall Detail.dwg

The architecture, engineering and design of the project using Tuscan StoneWorx is the responsibility of the project's design professional. Tuscan StoneWorx is a cast product that derives from natural stone, leaving a certain degree of color variance beyond our control. All systems must comply with state and local building codes and standards. This drawing is for preproduction approval and is not intended for production of parts, thus Tuscan StoneWorx disclaims any liability for the approval of this drawing and for the architecture, design, engineering or workmanship of any project.

Tuscan Stone & Tuscan Plaster One Coat System over Sheathing

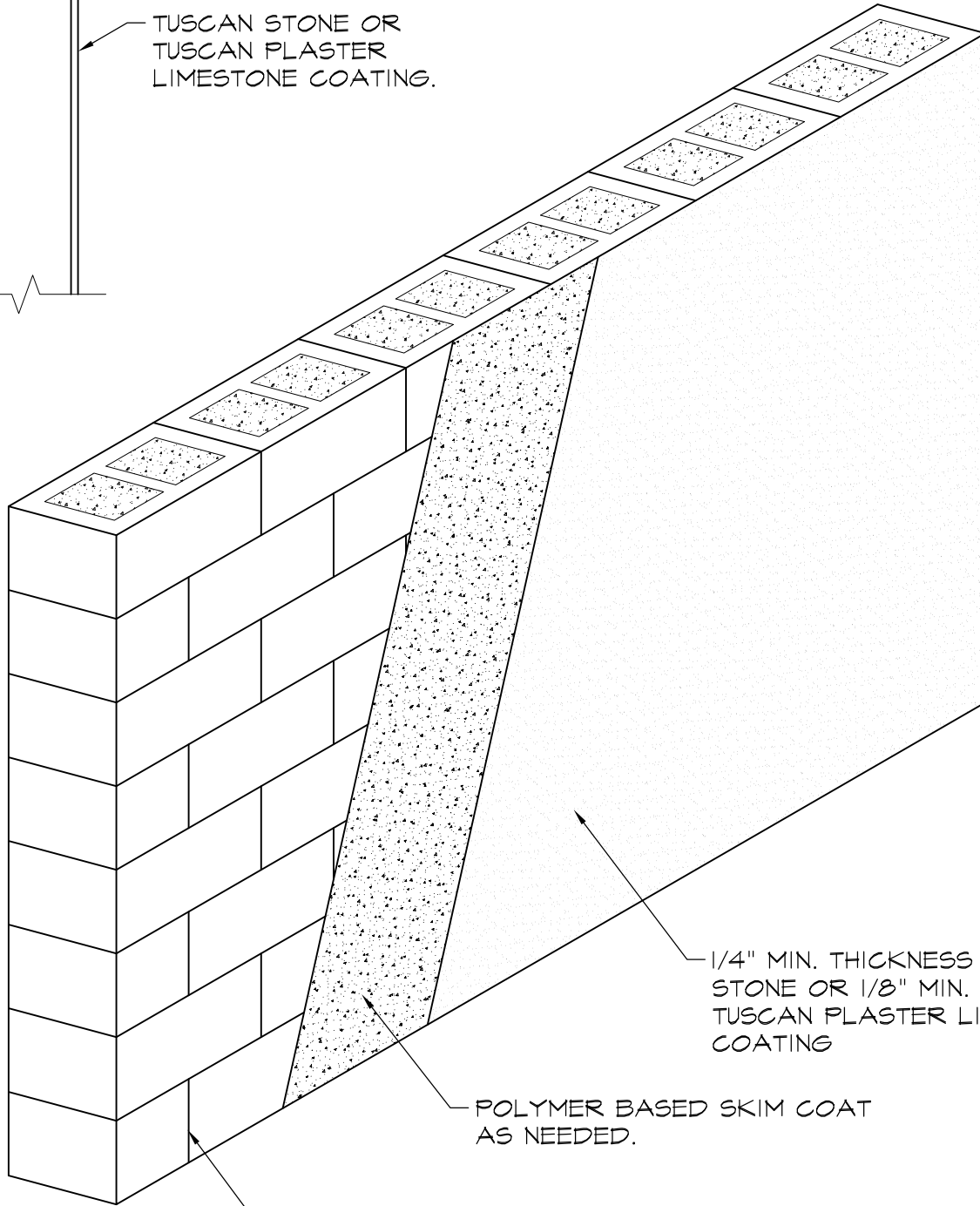
DATE:
SCALE: AS NOTED
DRAWN BY: C. HAWS
SHEET #:

TUSCAN STONEWORX
 165 N. 1330 W. Ste. C-4 Orem, Utah 84057
 P: (888) 368-9494 F: (801) 734-6815
 WWW.TUSCANSTONEWORX.COM



CONCRETE BLOCK OR
PRECAST WALL.

TUSCAN STONE OR
TUSCAN PLASTER
LIMESTONE COATING.



1/4" MIN. THICKNESS TUSCAN
STONE OR 1/8" MIN. THICKNESS
TUSCAN PLASTER LIMESTONE
COATING

POLYMER BASED SKIM COAT
AS NEEDED.

CMU / CEMENT BLOCK
WALL TYPES INCLUDE BUT ARE NOT
LIMITED TO; PRECAST AND EXISTING
STUCCO.
SUBSTRATE BY OTHERS

N:\Tuscan Cast Stone\01-Clients\Tuscan StoneWorx\Details\Detail2 Wall Detail.dwg

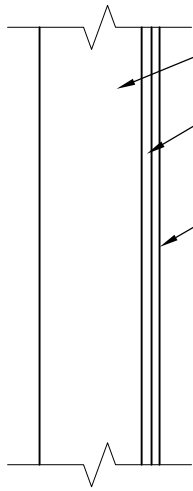
The architecture, engineering and design of the project using Tuscan StoneWorx is the responsibility of the project's design professional. Tuscan StoneWorx is a cast product that derives from natural stone, leaving a certain degree of color variance beyond our control. All systems must comply with state and local building codes and standards. This drawing is for preproduction approval and is not intended for production of parts, thus Tuscan StoneWorx disclaims any liability for the approval of this drawing and for the architecture, design, engineering or workmanship of any project.

Tuscan Stone & Tuscan Plaster One Coat System over CMU

DATE:
SCALE: AS NOTED
DRAWN BY: C. HAWS
SHEET #:

TUSCAN STONEWORX

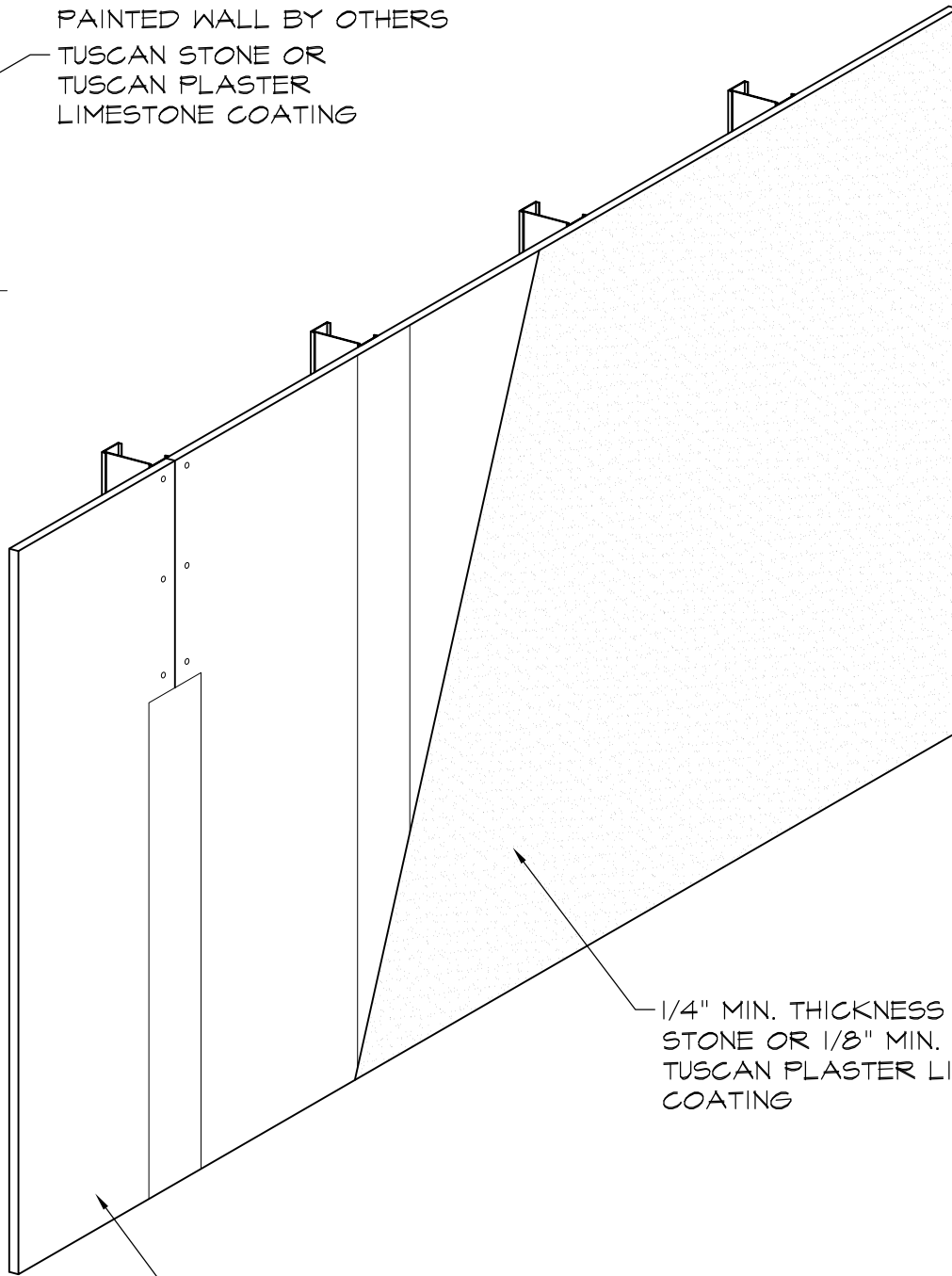
165 N. 1330 W. Ste. C-4 Orem, Utah 84057
P: (888) 368-9494 F: (801) 734-6815
WWW.TUSCANSTONEWORX.COM



FRAMING
BY OTHERS

PROPERLY PREPARED
DRYWALL OR EXISTING
PAINTED WALL BY OTHERS

TUSCAN STONE OR
TUSCAN PLASTER
LIMESTONE COATING



1/4" MIN. THICKNESS TUSCAN
STONE OR 1/8" MIN. THICKNESS
TUSCAN PLASTER LIMESTONE
COATING

PROPERLY PREPARED DRYWALL
SURFACES / EXISTING PAINTED WALLS
SUBSTRATE BY OTHERS

N:\Tuscan Cast Stone\01-Clients\Tuscan StoneWorx\Details\Detail2 Wall Detail.dwg

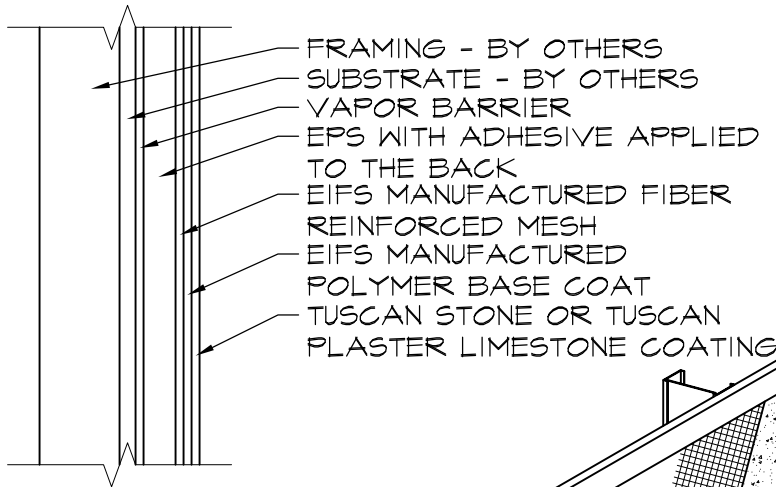
The architecture, engineering and design of the project using Tuscan StoneWorx is the responsibility of the project's design professional. Tuscan StoneWorx is a cast product that derives from natural stone, leaving a certain degree of color variance beyond our control. All systems must comply with state and local building codes and standards. This drawing is for preproduction approval and is not intended for production of parts, thus Tuscan StoneWorx disclaims any liability for the approval of this drawing and for the architecture, design, engineering or workmanship of any project.

Tuscan Stone & Tuscan Plaster One Coat System over Drywall INTERIOR

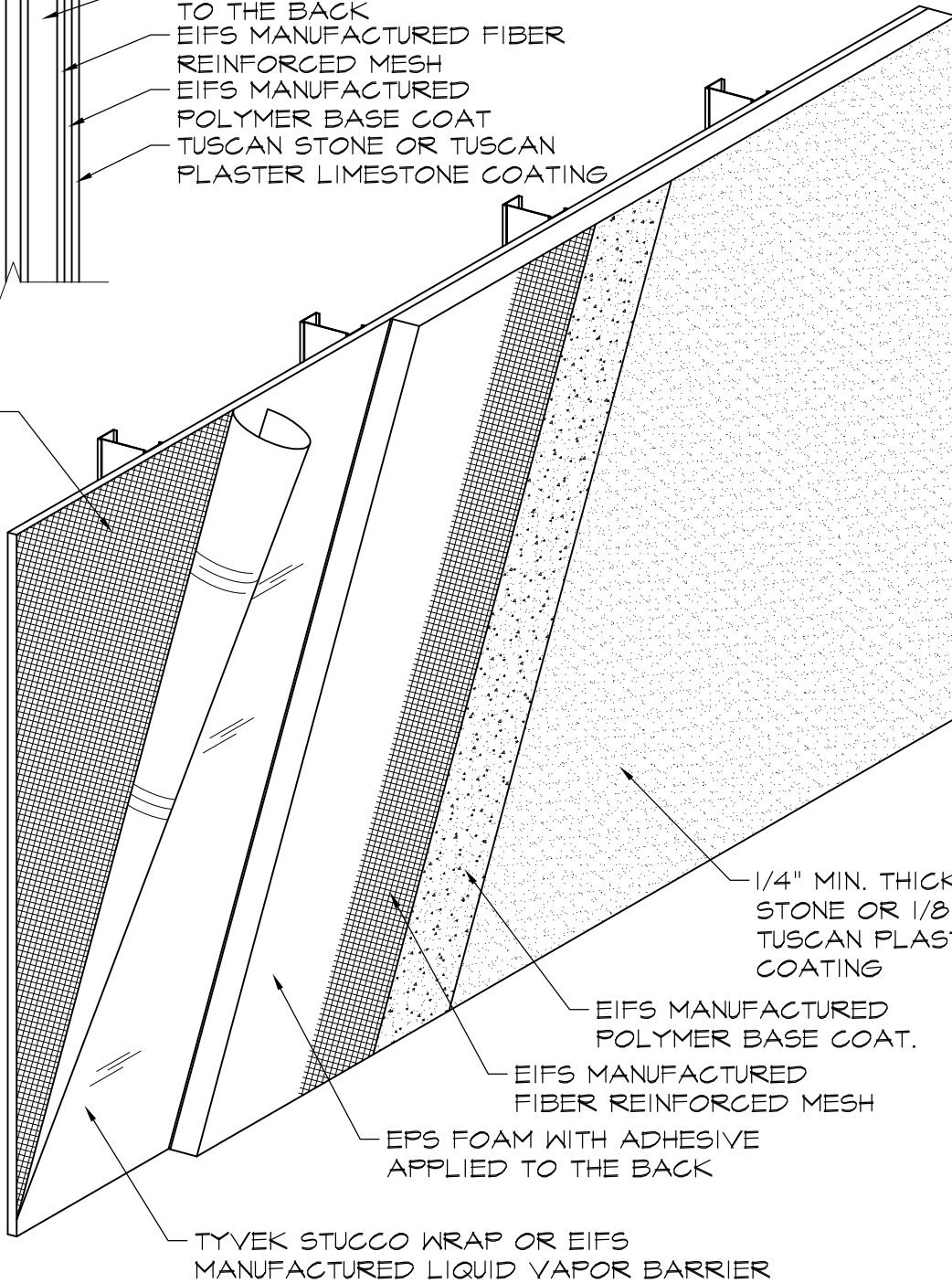
DATE:
SCALE: AS NOTED
DRAWN BY: C. HAWS
SHEET #:

TUSCAN STONEWORX

165 N. 1330 W. Ste. C-4 Orem, Utah 84057
P: (888) 368-9494 F: (801) 734-6815
WWW.TUSCANSTONEWORX.COM



SUBSTRATE BY OTHERS



N:\Tuscan Cast Stone\01-Clients\Tuscan StoneWorx\Details\Detail2 Wall Detail.dwg

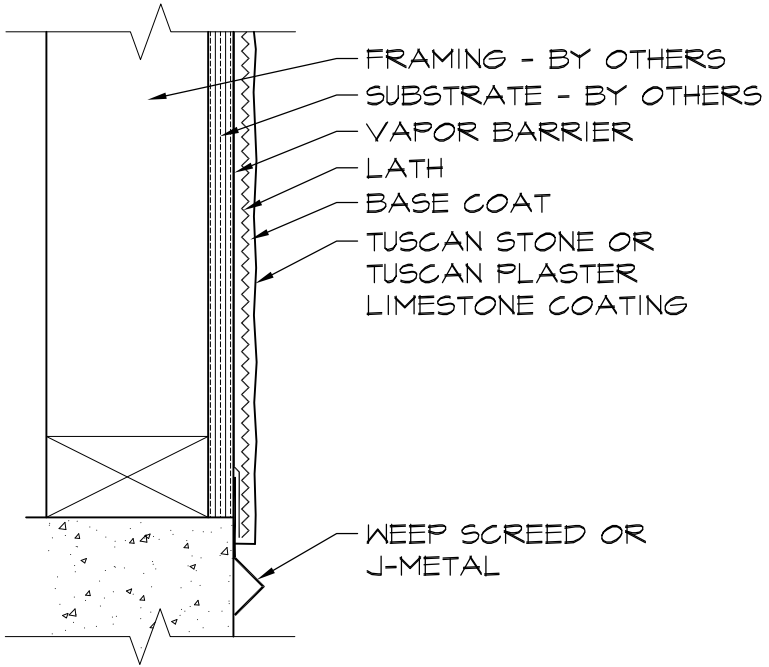
The architecture, engineering and design of the project using Tuscan StoneWorx is the responsibility of the project's design professional. Tuscan StoneWorx is a cast product that derives from natural stone, leaving a certain degree of color variance beyond our control. All systems must comply with state and local building codes and standards. This drawing is for preproduction approval and is not intended for production of parts, thus Tuscan StoneWorx disclaims any liability for the approval of this drawing and for the architecture, design, engineering or workmanship of any project.

Tuscan Stone & Tuscan Plaster One Coat System over EIFS

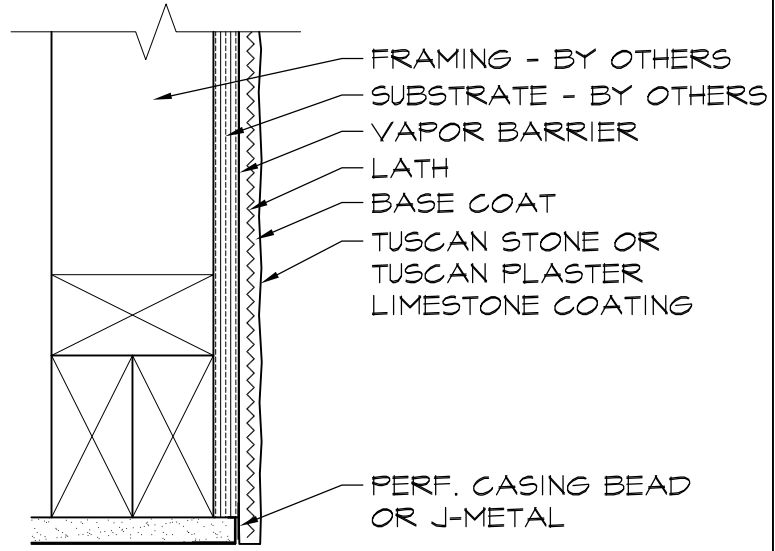
DATE:
SCALE: AS NOTED
DRAWN BY: C. HAWS
SHEET #:

TUSCAN STONEWORX
 165 N. 1330 W. Ste. C-4 Orem, Utah 84057
 P: (888) 368-9494 F: (801) 734-6815
 WWW.TUSCANSTONEWORX.COM

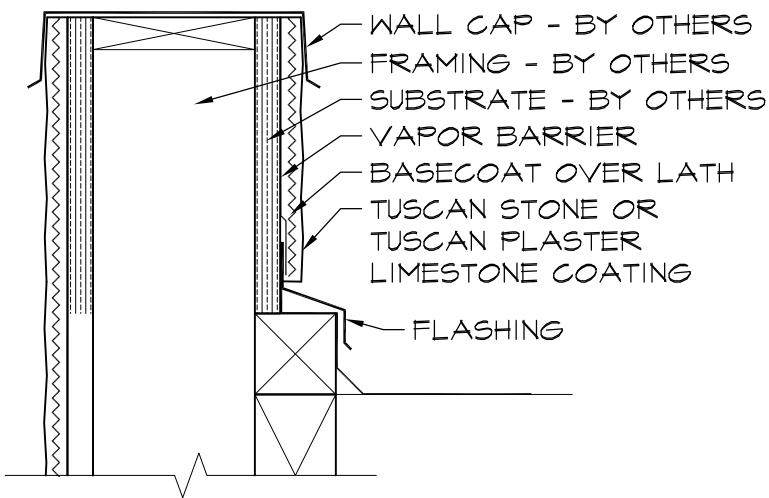
Tuscan Cast Stone\01-Clients\Tuscan StoneWorx\Details\Limestone Coating Details.dwg



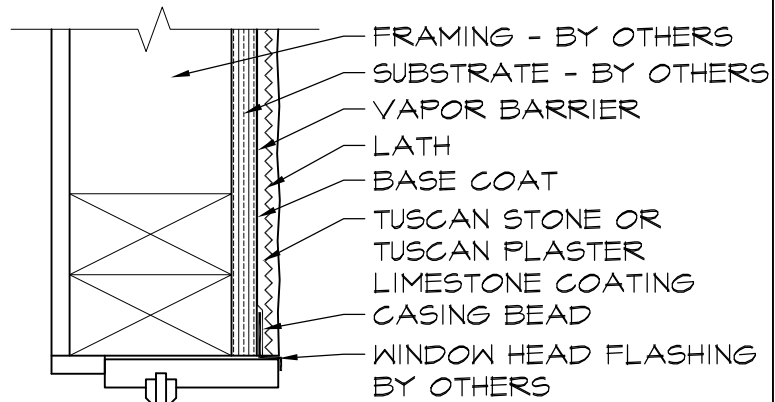
TERMINATION ABOVE GRADE



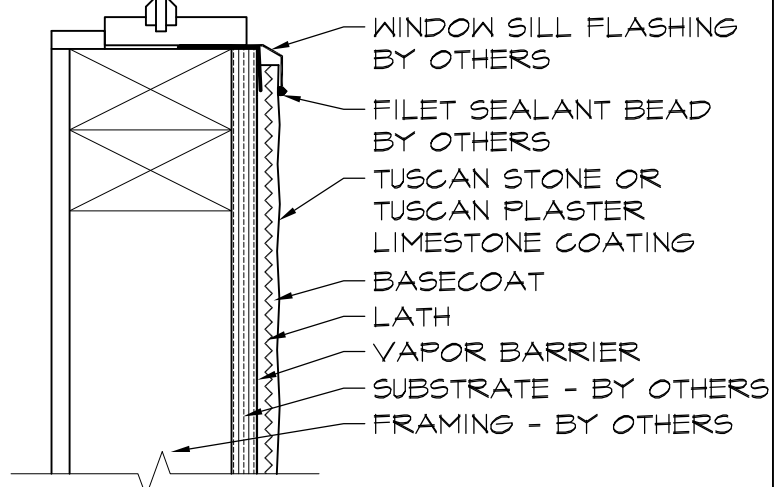
SOFFIT TRANSITION



TERMINATION AT ROOF



WINDOW HEAD



WINDOW SILL

The architecture, engineering and design of the project using Tuscan StoneWorx is the responsibility of the project's design professional. Tuscan StoneWorx is a cast product that derives from natural stone, leaving a certain degree of color variance beyond our control. All systems must comply with state and local building codes and standards. This drawing is for preproduction approval and is not intended for production of parts, thus Tuscan StoneWorx disclaims any liability for the approval of this drawing and for the architecture, design, engineering or workmanship of any project.

Tuscan Stone & Tuscan Plaster Terminations

DATE:
SCALE: AS NOTED
DRAWN BY: C. HAWS
SHEET #:

TUSCAN STONEWORX
 165 N. 1330 W. Ste. C-4 Orem, Utah 84057
 P: (888) 368-9494 F: (801) 734-6815
 WWW.TUSCANSTONEWORX.COM